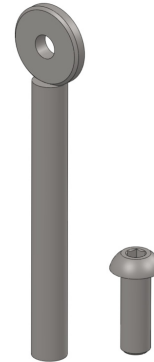


## ACTUATOR TURN FITTING

The actuators for VENDLET V5S, V5S+, V5 and V5+ have a large backward-facing plastic housing. In some situations, the plastic housing may bump against the bed's brakes, wheels, etc.

It is possible to turn the actuator 90° so that the plastic housing will instead be positioned alongside the bed. Turning the actuator in this way requires dismantling and re-mounting it with an actuator turn fitting.



A actuator turn fitting set consists of:

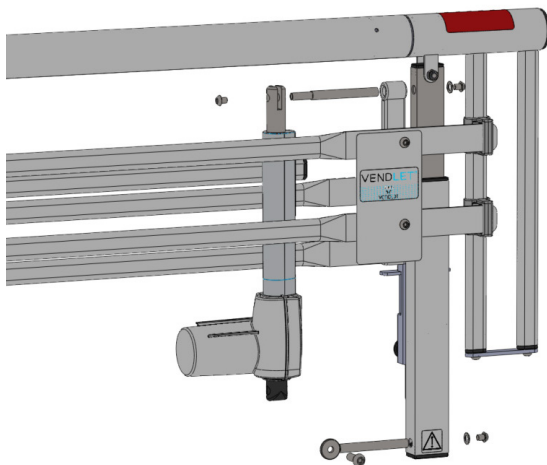
- 1 Actuator turn fitting
- 1 M10 x 30 mm button head bolt

Item No. 1880100

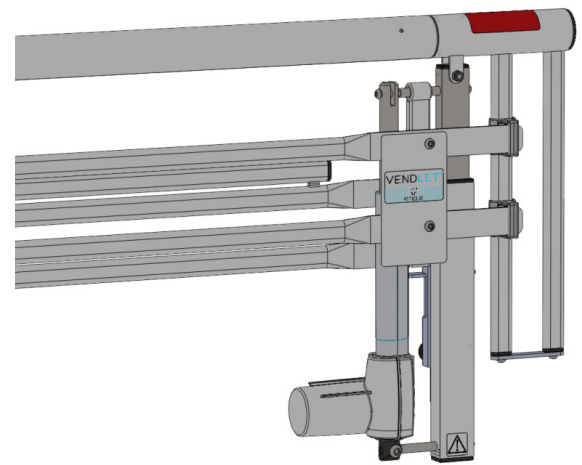


**NOTE:** If you make use of this option, be aware that the actuator will be sitting in an exposed position. It will accordingly be extra vulnerable to bumps and bruises. Therefore, only make use of this option if there are no other alternatives.

## Installation guide



1. Dismount the actuator. Next, dismount the two axles. Put aside 3 M8 button head bolts, the longest axle and 2 washers.
2. Mount the longest axle atop the actuator fitting with one M8 button head bolt and a washer.



3. Attach the turn fitting to the bottom of the actuator fitting using one M8 button head bolt and a washer.
4. Position the actuator into the turn fitting as well as the top shaft.
5. Mount the actuator with 1 M10 x 30 mm button head bolt at the bottom and 1 M8 button head bolt at the top.